



NJPA AWARDED CONTRACT

Loadmaster



- 12 mph max speed
- 110 in turning radius
- 1,600 lb load capacity

TOUGH & DEPENDABLE BURDEN CARRIER



Taylor-Dunn's Loadmaster is durable, reliable and cost effective for your commercial and industrial material handling needs. Equipped with a 36-volt electric drive train, this vehicle carries loads up to 1,600 pounds at speeds up to 12 miles per hour with a range up to 20 miles.

This narrow aisle burden carrier is 44.5 inches wide by 108 inches long. It has a 110 inch turning radius with an 84 inch intersecting aisle clearance.

Adding optional equipment such as ladder rack, stake sides, tool boxes, tool cabinets or work bench makes this an excellent choice for any indoor or outdoor maintenance application.

Visit our website for images, videos, information, and custom modification ideas at taylor-dunn.com.

VOLTAGE	36 volt	
SPEED	12 mph	19.3 km
RANGE	20 mi	32 km
LOAD	1600 lb	726 kg
BED SIZE	44x63 in	112x160 cm
TURNING RADIUS	110 in	279 cm

* Based on Standard Configuration
Actual towing capacity is dependent on application, vehicle configuration, ballast weight, operating environment, and vehicle maintenance.
Note: Photos are shown with optional features.

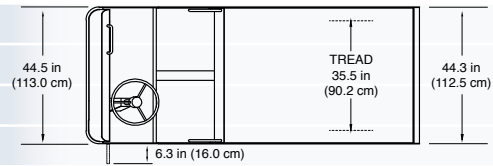
FEATURES & BENEFITS:

- Driver seat interlock safety feature
- Fully welded unitized steel body
- Front & rear spring suspension
- Customizable to fit your application

B-150

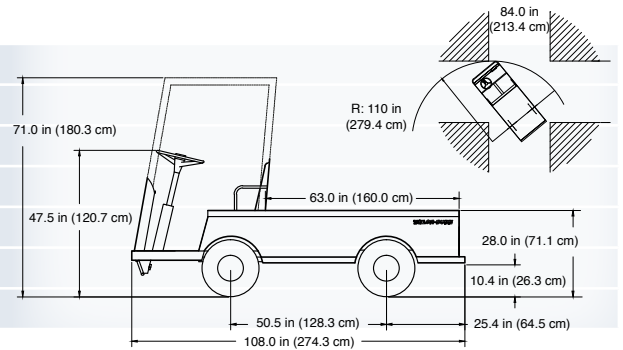
PERFORMANCE

LOAD CAPACITY	1600 lb	726 kg
TOW CAPACITY	7500 lb	3409 kg
MAX SPEED (UNLOADED)	12 mph	19 km/h
TURNING RADIUS	110 in	279 cm



DIMENSIONS

OVERALL LENGTH	108 in	274 cm
OVERALL WIDTH	44.5 in	113 cm
HEIGHT (- cab)	47.5 in	121 cm
HEIGHT (+ cab)	71 in	180 cm
DECK HEIGHT	28 in	71 cm
WHEEL BASE	50.5 in	128 cm
BED SIZE	44 x 63 in	112 x 160 cm



POWER SUPPLY / DRIVE TRAIN

MOTOR	36V, DC, Series Wound, 6 Hp
SYSTEM VOLTAGE	36V DC
DRIVE AXLE	Direct Drive, Oil Bath, 14.78:1 Ratio, Transaxle Assembly, Sealed Helical Gear Reduction
BATTERIES	210 Amp-hour Lead Acid, 6 Volt, 6 Each
CHARGER	1 kW, Built-in, 36V, 110 VAC, 60Hz, w/ Interlock
CONTROLLER	275 amp, Solid State Speed Controller
WIRING	Modular Harness Design, Weather Protected Connectors

CHASSIS

FRAME	Unitized Fully Welded 16 Gauge Diamond Plate Steel
STEERING	24:1 Ratio, Automotive
SUSPENSION	Leaf Springs, Front and Rear
BRAKES	Rear Mechanical Drum w/ Hand Operated Parking Brake
BUMPERS	Heavy Duty Steel Integrated Front
TIRES	5.70 x 8 Load Range C Pneumatic

GENERAL

UNIT WEIGHT	1214 lb	550 kg
SEATS	Split Seat Bottom Cushion w/ Full Length Back Rest in Black Vinyl, 2 Person Capacity	
INSTRUMENTATION	Battery Status Indicator, Forward/Reverse Selector, Key Switch, Electric Horn	
LIGHT ACCESSORIES	Brake Lights	
CONFORMANCE	Type E OSHA 1910.178, ANSI B56.8	

OPTIONS

- HYDRAULIC DRUM BRAKES
- SMOOTH SKIN BODY
- WINDSHIELD WIPER
- FIBERGLASS CAB
- VINYL DOORS
- FIBERGLASS TOP
- DIRECTIONAL SIGNALS
- PORTABLE CHARGER
- DUAL HEADLIGHTS
- STROBE LIGHT
- LADDER RACK
- STAKE SIDES
- BATTERY WATERING SYSTEM
- HOUR METER
- REVERSE ALARM
- VARIOUS HITCHES
- UNDERCOATING / GALVANIZING
- OPTIONAL COATING COLORS



2-YEAR
2,000 HOUR



MANUFACTURERS
WARRANTY

*Specifications, standard equipment, accessories and modifications are all subject to change without notice.