



# C-432

- 9 mph max speed
- 70 in turning radius
- 8750 lb towing capacity\*



## HEAVY DUTY NARROW TOWING SOLUTIONS



Note: Vehicles in photos show optional equipment.

Our three-wheel design allows the C-432 to provide the shortest turning radius available in a sit-down combination burden carrier/tow tractor. With its 28-inch wheelbase, this vehicle can maneuver into corners other powered vehicles simply cannot reach.

Equipped with heavy-duty batteries and a built-in fully-automatic charger, this vehicle is always ready to go. It's ideal for moving loads over smooth floors in warehouses, hospitals, schools, and hotels where quiet, fume-free operation is necessary.

Customizations include strobe light, reverse alarm, portable charger, headlights, taillights, fiberglass cab, vinyl doors, side/rear view mirrors, hitch, and soft solid tires. Visit our website for additional images, videos, information and custom modifications at [www.taylor-dunn.com](http://www.taylor-dunn.com).

<b>VOLTAGE</b>	36 volt	
<b>SPEED</b>	9 mph	14 km/h
<b>RANGE</b>	20 mi	32 km
<b>LOAD CAPACITY</b>	1400 lb	635 kg
<b>TOW CAPACITY</b>	8750 lb	3969 kg
<b>TURNING RADIUS</b>	70 in	178 cm

\* Based on Standard Configuration  
Actual towing capacity is dependent on application, vehicle configuration, ballast weight, and operating environment.  
Note: Photos are shown with optional features.

### FEATURES & BENEFITS:

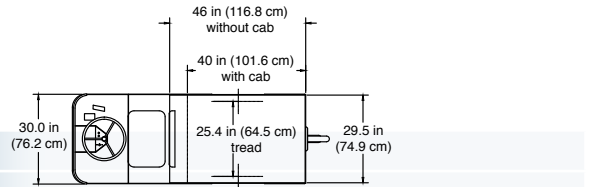
- Built-in fully automatic charger
- Easily clears narrow aisles and doorways
- Fully-welded all steel construction
- Adjustable seat
- 29.5 x 46 in deck (-cab)
- Customizable to fit your application



# C-432

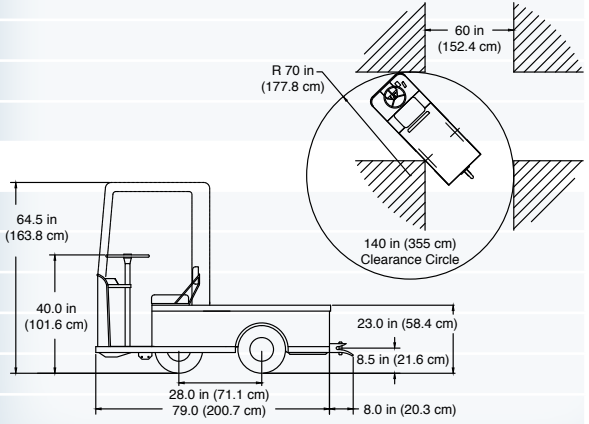
## PERFORMANCE

<b>LOAD CAPACITY</b>	1400 lb	635 kg
<b>TOW CAPACITY</b>	8750 lb	3969 kg
<b>DRAWBAR PULL</b>	175 lb	780 kN
<b>MAX SPEED (UNLOADED)</b>	9 mph	14 km/h
<b>TURNING RADIUS</b>	70 in	178 cm



## DIMENSIONS

<b>OVERALL LENGTH</b>	79 in	201 cm
<b>OVERALL WIDTH</b>	30 in	76 cm
<b>OVERALL HEIGHT (- cab)</b>	40 in	102 cm
<b>OVERALL HEIGHT (+ cab)</b>	64.5 in	164 cm
<b>WHEEL BASE</b>	28 in	71 cm
<b>DECK SIZE (- cab) (W x L)</b>	29.5 x 46 in	75 x 117 cm
<b>DECK SIZE (+ cab) (W x L)</b>	29.5 x 40 in	75 x 102 cm
<b>DECK HEIGHT</b>	23 in	58 cm



## POWER SUPPLY / DRIVE TRAIN

<b>MOTOR</b>	6 hp, 4.5 kW, DC
<b>SYSTEM VOLTAGE</b>	36 Volt
<b>DRIVE AXLE</b>	Power Traction Automotive Differential
<b>BATTERIES</b>	210 Amp-hour Lead Acid, 6 Volt, 6 Each
<b>CHARGER</b>	Built-in Automatic, 1 kW, 36 Volt, 110 VAC with Interlock
<b>CONTROLLER</b>	400 Amp, 36 Volt, Solid State

## CHASSIS

<b>FRAME</b>	Fully Welded, Unitized, 16 Gauge, Diamond Plate Steel Body
<b>STEERING</b>	Manual, Chain and Sprocket Reduction to Front Fork
<b>SUSPENSION</b>	Solid, Front and Rear
<b>BRAKES</b>	Mechanical Rear Drum Brakes, Hand-Operated Parking Brake
<b>TIRES</b>	4.80 x 8, Load Range B, Pneumatic

## GENERAL

<b>MAXIMUM OCCUPANCY</b>	1	250 lb (113 kg)
<b>UNIT WEIGHT</b>	918 lb	416 kg
<b>SEAT</b>	Single, Adjustable, Black Vinyl, with Safety Seat Switch	
<b>INSTRUMENTATION</b>	Battery Status Indicator, Forward/Reverse Selector, Key Switch, Electric Horn	
<b>CONFORMANCE</b>	Type E OSHA 1910.178, ANSI B56.8 and B56.9	

## OPTIONS

- HEADLIGHT/TAILLIGHT
- REVERSE WARNING ALARM
- SOFT SOLID TIRES
- PORTABLE CHARGER
- BEACON OR STROBE LIGHT
- SIDE/REAR VIEW MIRRORS
- REVERSE LIGHTS
- FIBERGLASS CAB
- VINYL DOORS
- HOUR METER
- DIRECTIONAL SIGNALS
- VARIOUS HITCHES
- NON-MARKING TIRES
- STAKE SIDES
- CUSTOM PAINT COLOR
- WINDSHIELD WIPER
- DIAMOND PLATE DECK
- GALVANIZING/UNDERCOATING

Specifications, standard equipment, accessories and modifications are subject to change without notice.