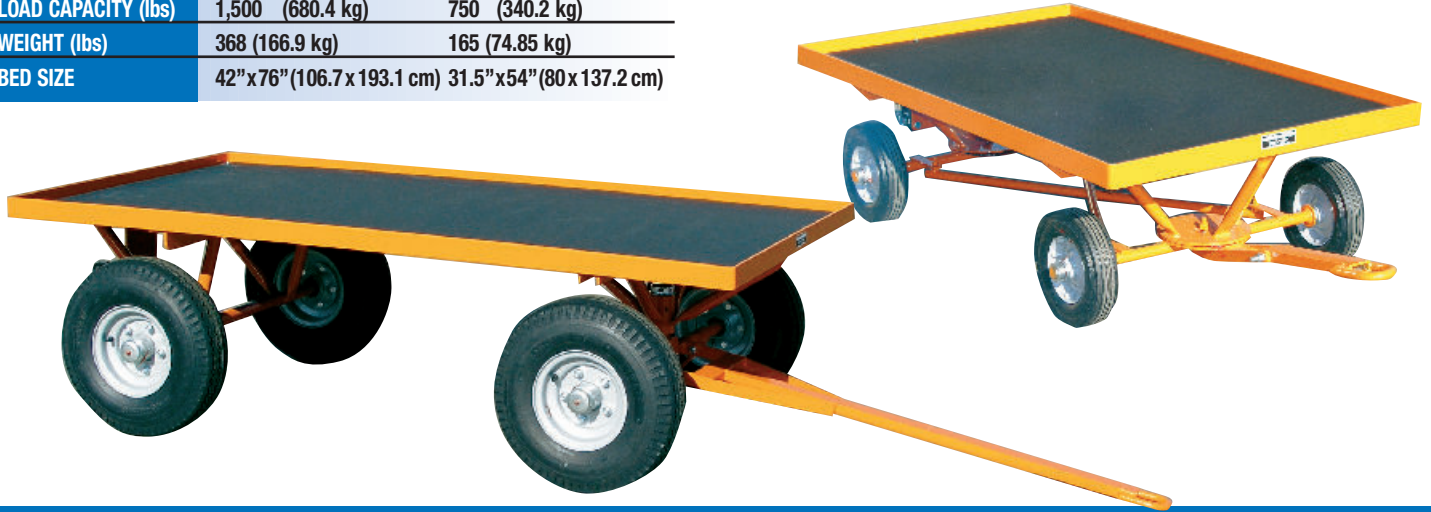


TB4 & TAT

Taylor Dunn Trailer Models

MODEL	TBA	TAT
TYPE	Trailer	Trailer
LOAD CAPACITY (lbs)	1,500 (680.4 kg)	750 (340.2 kg)
WEIGHT (lbs)	368 (166.9 kg)	165 (74.85 kg)
BED SIZE	42"x76" (106.7 x 193.1 cm)	31.5"x54" (80 x 137.2 cm)



Tough and Dependable Product Solutions

The Model TB4 is for carrying heavier loads, with its payload capacity of up to 1,500 lbs. Constructed of heavy-duty angular steel, the T-B4 comes standard with a rear hitch plate for multiple trailer towing, 4.80 x 8 pneumatic tires, and wooden deckboard. Optional features include solid steel or wood stake sides, many tire options so you can match tires and wheels with the towing vehicle, and a variety of hitches for towing purposes.

The Model TAT is a true tracking trailer with a payload capacity of up to 750 lbs. Constructed of welded heavy-duty angular steel, the TAT comes standard with a rear hitch plate, plus a pin and clevis hitch on the rear of the vehicle for multiple trailer towing purposes. Also standard are semi-pneumatic tires (for smooth surfaces), and wooden deckboard. Optional features include solid steel sides and stake sides for containing large loads. A train of TAT trailers may be hooked onto any Taylor-Dunn vehicle for towing.

With over 150,000 vehicles in service and over 50 years experience, Taylor-Dunn products are the best way to go about your business.



TAYLOR-DUNN[®]
Commercial and Industrial Vehicles Since 1949

The best way to go about your business

PERSONNEL CARRIERS



Aristocrat



Roadmaster

BURDEN CARRIERS



Taylortruck



Loadmaster



Model B Series



Electruck



Maintenance Expediter



Stepsaver



Stockchaser

TOW TRACTORS



Towmaster



Mule



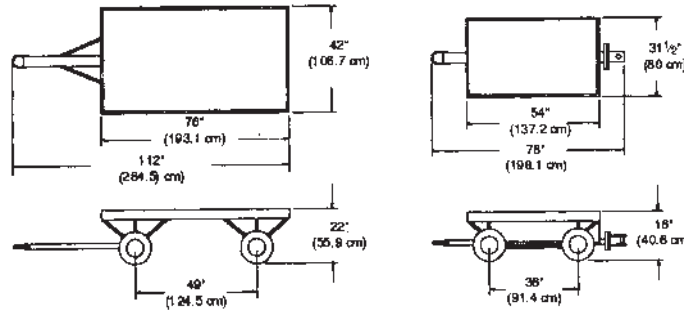
Pullmaster



Model E



Huskey



TRAILER STANDARD SPECIFICATIONS

Product Line:	MODEL T-B4	MODEL T-A-T
Type	4 wheel trailer with turning front axle fixed rear axle	4 wheel trailer of tracking design utilizing 5th wheel steering both front and rear with front and rear axles connected by tie rods
Weight:	368 lbs. (166.9 kg)	165 lbs. (74.85 kg)
Capacity:	1,500 lbs. (680.4 kg)	750 lbs. (340.2 kg)
Maximum Length:	112 inches (284.5 cm) including tongue	78 inches (198.1 cm) including tongue
Maximum Width:	42 inches (106.7 cm)	31.5 inches (80 cm)
Bed Size:	42 X 76 inches (106.7 x 193.1 cm)	13.5 X 54 inches (80 x 137.2 cm)
Wheel Base:	49 inches (124.5 cm)	36 inches (91.4 cm)
Bed Height:	22 inches (55.9 cm)	16 inches (40.6 cm)
Wheel Size:	5.70 x 8, Load Riange B, Highway Tread	10 x 2.75 heavy service semi-pneumatic tires
Color:	Safety Orange	Safety Orange
	Not designed for highway use	Not designed for highway use

TRAILER MODEL OPTIONAL FEATURES

Accessories

- 14" high stake sides
- Pintle hitch
- Automatic coupling hitch
- 18 x 8.50 x 8 Terra tires 4-ply rating available for T-B4
- Flat out tire treatment available for T-B4

Color

- Safety Yellow
- Special paint colors available



TAYLOR-DUNN CORPORATION
Commercial and Industrial Vehicles Since 1949



METRO CROWN INTERNATIONAL
A TAYLOR-DUNN COMPANY



TIGER TRACTOR
A TAYLOR-DUNN COMPANY



KALAMAZOO
A TAYLOR-DUNN COMPANY



UNITED TRACTOR
A TAYLOR-DUNN COMPANY

2114 West Ball Road, Anaheim, CA 92804 • (714) 956-4040 • FAX (714) 956-3130
Toll Free (800) 688-8680 Visit our website: www.taylor-dunn.com